



Ultrasound Motion Sensor Robotic Security Projects User's Guide

Table of contents

Chapter1.Overview	1
Chapter2.Contact Us.....	3

Ultrasound Motion Sensor Robotic Security Projects

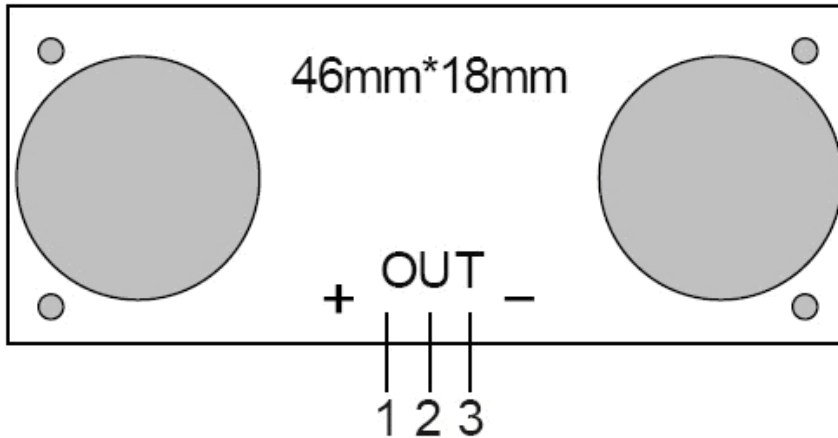
NOTES:

Product Version : **Ver 1.0**

Document Version : **Ver 1.0**

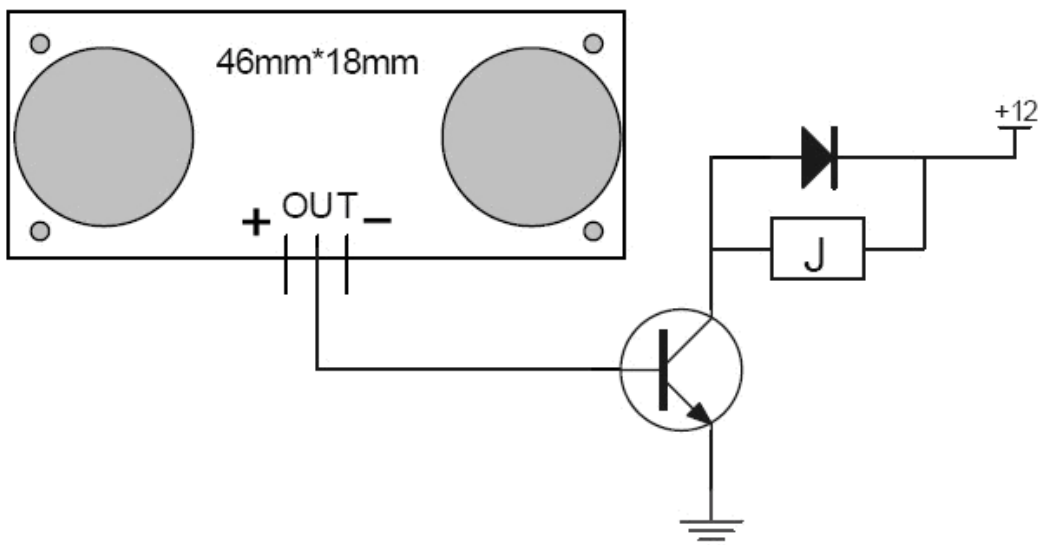
Chapter1.Overview

Module's External Connection schematic



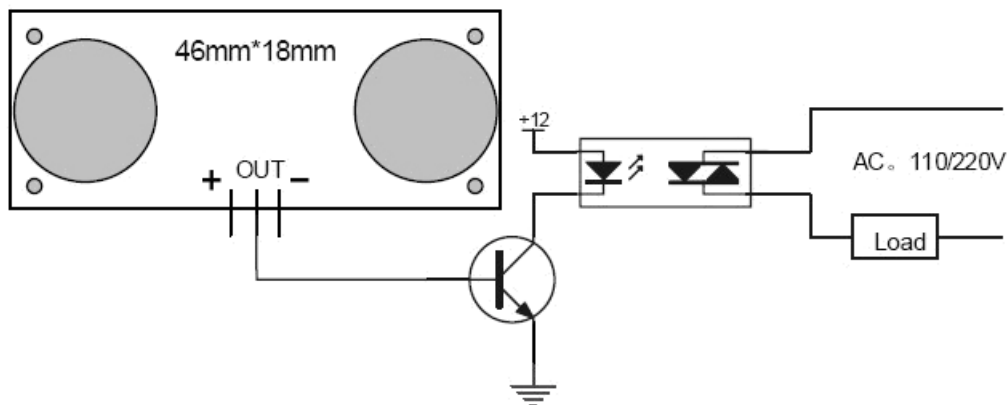
- 1 - Power In: Positive +
- 2 - OUT: Signal output
- 3 - Power In: Negative -

DC load circuit schematic



Overview

AC load circuit schematic



Range of Application:

Used to detect the move of human or object. Suitable for indoor and outdoor burglar-proof application, vehicle burglar-proof application, ATM surveillance camera, warehouse surveillance camera, and safety warning applications in dangerous site where high voltage and high temperature exist.

Product Features:

- 1 High Sensitivity, Reliability and Stability
- 2 Extreme-Temp resistant, moisture proof, shock & vibration-proof, etc.

Main Technical Specifications

- 1 Power Voltage: DC 6-12V
- 2 Quiescent current : Less than 2 m A
- 3 output Level: High 5V
- 4 output Level: Low 0V
- 5 Sensing Angle: no greater than 15°
- 6 Sensing distance: 2mm-3m

Chapter2.Contact Us

Sure Electronics Co., Ltd.

5F, Zone A,

Qinhuai Technology Innovation Center

105-2 DaMing Rd (Zip Code : 210022)

Nanjing

PRC

Tel: +86-25-66606340 (English Service) GMT1am-10am

Fax: +86-25-66606346

Website: www.sure-electronics.net
www.sureelectronics.net
www.sure-electronics.com